



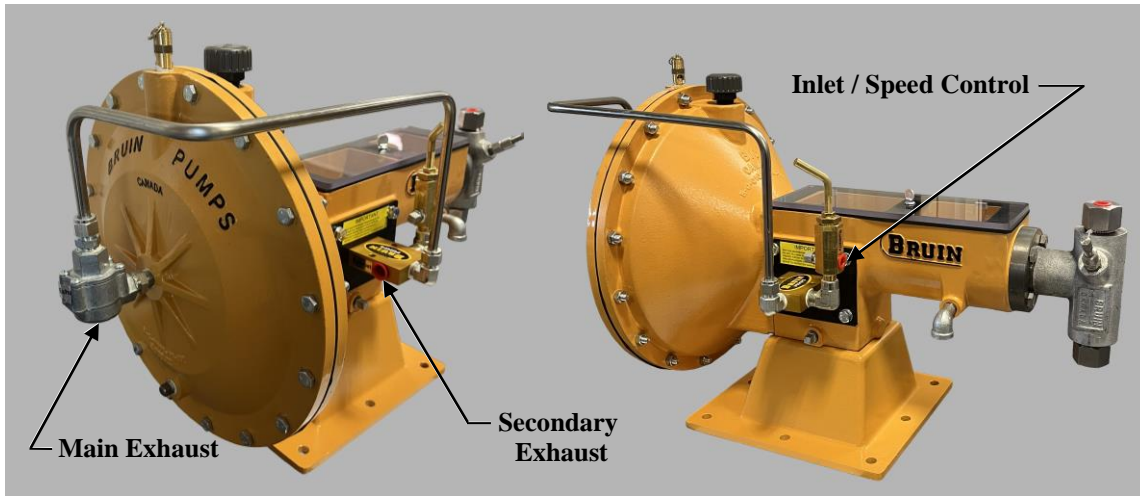
Quick Exhaust Option



BR5000

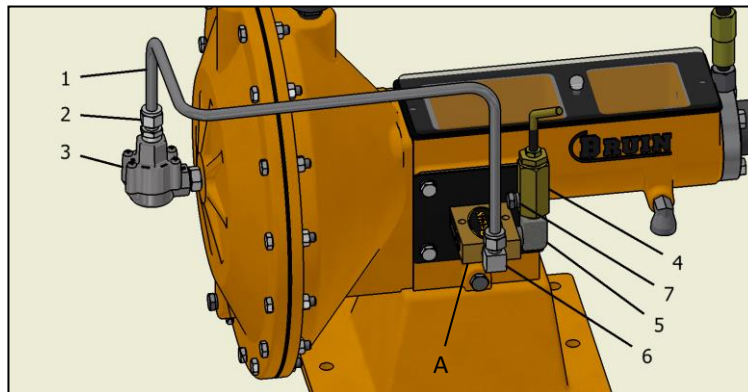
Pneumatically Operated Chemical Injection Pump

The Bruin BR5000 series chemical injection pump offers the option of replacing the standard Master Valve Assembly with a Quick Exhaust Valve. The compact Aluminum constructed Quick Exhaust Valve option simplifies the system by reducing the quantity of parts needed and simplifies maintenance while maintaining a similar operating functionality (speed/volume). *Note: Max supply pressure is 50 psig.*



The BR5000 Quick Exhaust Conversion Kit (BB-0037QE-CONV) allows for a BR5000 with a Master Valve Assembly to be converted into a Quick Exhaust setup. An alternate high volume microswitch option (BA5100-02H) is available allowing for an increased maximum stroke speed.

ITEM	TITLE	QTY	STOCK NUMBER
A	HIGH-VOLUME MICROSWITCH	1	BA5100-02H



Parts **Contained** in BR5000 Quick Exhaust Conversion Kit (BB-0037QE-CONV)

ITEM	TITLE	QTY	STOCK NUMBER
1	QUICK EXHAUST TUBING	1	BA5000-05B
2	MALE CONNECTOR	1	BFT23133
3	QUICK EXHAUST VALVE	1	BB-0037QE
4	CONTROL VALVE	1	BA-0022
5	ELBOW	1	BA-5100-14
6	MALE ELBOW CONNECTOR	1	BFT13133
7	PLUG	1	BA-0138

9001-20 Street NW, Edmonton, Alberta, Canada T6P 1K8
 Email: info@bruinpumps.com

Phone: 780-430-1777

Fax: 780-449-5233

www.bruinpumps.com